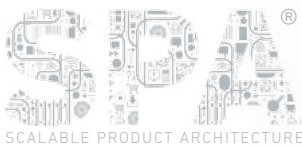


SPA - F

# FIBER LASER

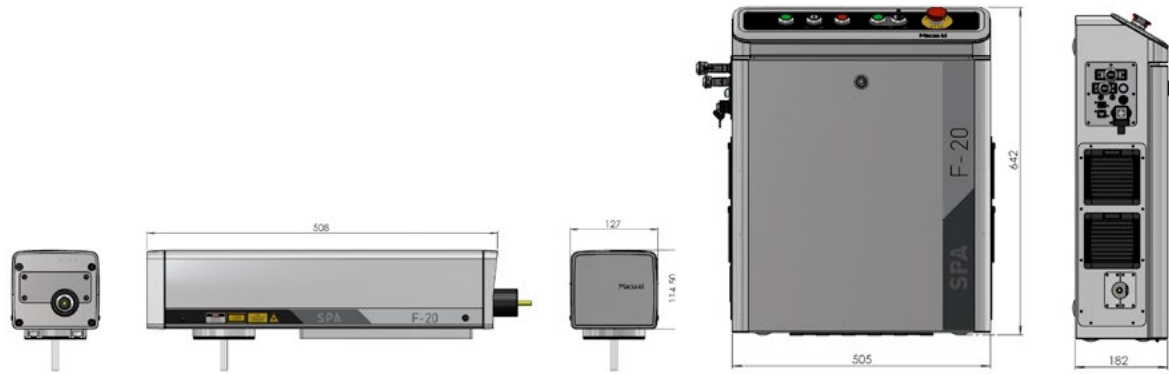
Versatility to mark a wide range of films, plastics and metals



**SPA - F** by **MACSA**  
Fast. Powerful. Flexible.

**Macsa id**<sup>®</sup>  
a code you can trust

SPA - F



<b>MODEL</b>	<b>SPA / F20 / F30 / F50 - PULSED</b>			<b>F10 FILM UHS / F20 FILM UHS / F50 FILM UHS</b>		
<b>NOMINAL POWER</b>	10W – 20W - 30W - 50W (wavelength:1,06 microns)			10W – 20W – 50W (wavelength: 1.06 microns)		
<b>MARKING HEAD</b>	Fibre Laser. Marking area indicator (red diode) 635nm. Marking optimized beam quality.			Fibre Laser. Marking area indicator (red diode) 635nm optional. Marking optimized beam quality.		
<b>SYSTEM CABINET</b>	<b>Series SPA-F PULSED</b> Laser beam delivery and Scanners built into the laser output head. Control electronics and power supplies built into the cabinet.			<b>Series SPA-F FILM</b> Laser beam delivery and Scanners built into the laser output head. Control electronics, Scanner boards and power supplies built into the cabinet.		
<b>FOCAL SPECIFICATIONS</b>	Focal Distance	Working Distance	Marking Area	Beam Diameter	Options	
	100mm	128mm	55x55mm (2.2X2.2 inch)	<50-80 microns	Optional	
	162mm	205mm	100x100mm (4.0x4.0 inch)	<70-100 microns	Standard	
	254mm	321mm	160x160mm (6.3x6.3 inch)	<100-150 microns	Optional	
	346mm	427mm	200x200mm (7.9x7.9 inch)	<100-150 microns	Optional	
<b>Q-SWITCH FREQUENCY</b>	SPA - F-10 / F-20 / F-30 / F-50 - PULSED: 20 to 80 KHz			SPA - F FILM: CW		
<b>CONTROL</b>	<ul style="list-style-type: none"> <li>• Touch screen</li> <li>• PC with Full Graphics Interface: includes Marca™ software, protection key and Ethernet cable (TCP/IP)</li> <li>• PC with Network interface: includes Marca Lite™ software, protection key and Ethernet cable (TCP/IP)</li> </ul>					
<b>MAIN SUPPLY</b>	F-10: 115 / 230V AC-50/60Hz 1Phase + N – 400VA F-20: 115 / 230V AC-50/60Hz 1Phase + N – 500VA F-50: 115 / 230V AC-50/60Hz 1Phase + N – 700VA			F-10 FILM: 115 / 230V AC-50/60Hz 1Phase + N – 350VA F-20 FILM: 115 / 230V AC-50/60Hz 1Phase + N – 450VA F-50 FILM: 115 / 230V AC-50/60Hz 1Phase + N – 650VA		
<b>ACCESSORIES</b>	Mounting support Encoder and photocell kit			Mounting support Encoder and photocell kit		
<b>ENVIRONMENTAL CONDITIONS</b>	F-10 / F-20 / F-30 / F-50: 5°C (41°F) to 40°C (104°F) external temperature. Suspension particles < 3mg/m3 10% < Humidity < 95% non-condensing No vibrations			F-10 / F-20 / F-50: 5°C (41°F) to 40°C (104°F) external temperature. Suspension particles < 3mg/m3 5% < Humidity < 95% non-condensing No vibrations		
<b>WEIGHT</b>	F-10 / F-20 / F-30 / F-50 PULSED: Laser head 5Kg Cabinet 21Kg			F-10 / F-20 / F-50 FILM: Laser head 3Kg Cabinet 20Kg		

SPA - F by MACSA

Fast. Powerful. Flexible.



MACSA ID, S.A.

P.I. Pla de Santa Anna · 08272 Sant Fruitós de Bages · Barcelona · Spain  
 T. +34 93 873 87 98 · macsa@macsa.com · www.macsalaser.com

**Macsa id**<sup>®</sup>  
 a code you can trust